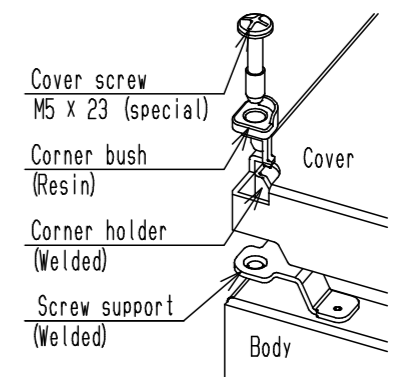


Cross section A (1:2)



Details

Enclosure specification		Model	CF16-225						
Type	Indoor use, CF16-225	Drawing number	1/1						
Body	Steel t 1.6								
Door/Cover	Steel t 1.6								
Mounting plate	Steel t 1.6	Scale	1:5	Design	ONODA	Draw	SAKAMOTO	Check	SUZUKI
Color	Standard / Light beige (5Y7/1)	Date: 1 / Nov. / 2022							
IP	IP66								
Weight	-								