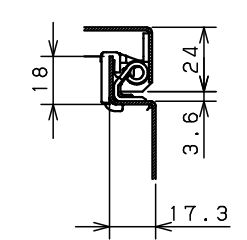
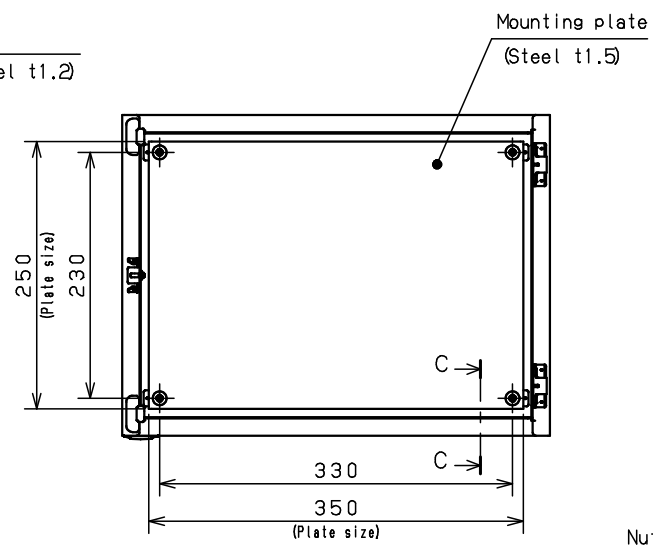
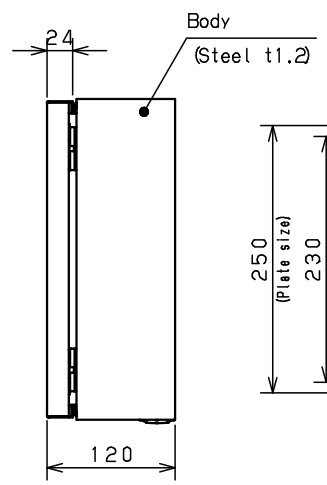
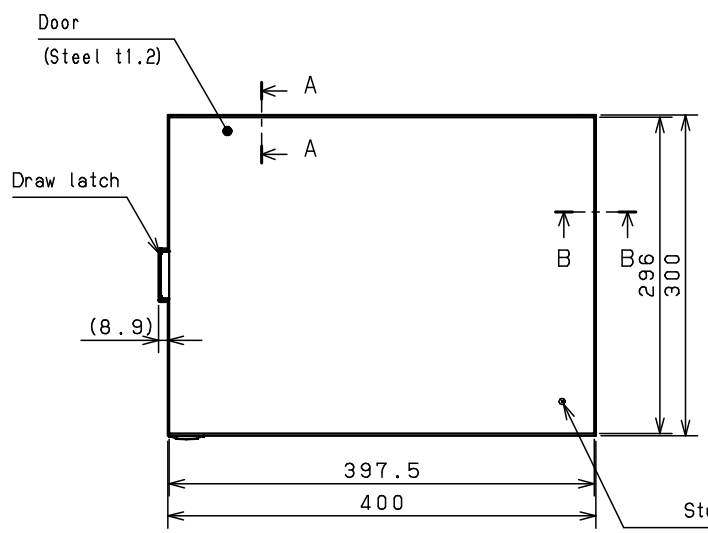
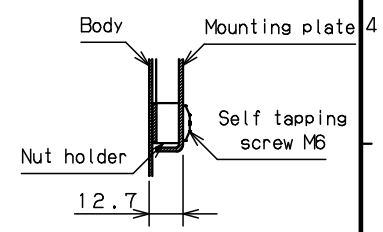


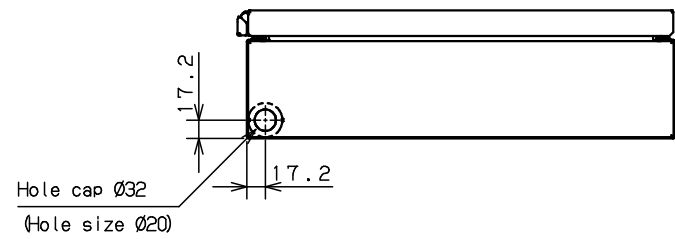
CROSS SECTION A-A  
1:2



CROSS SECTION B-B  
1:2



CROSS SECTION C-C  
1:2



Model	Wall-mounting, indoor-use, CH12-43TH		Name/Type	CH12-43TH			
Body	Steel sheet, t1.2						
Door	Steel sheet, t1.2		Drawing number	- / 1			
Mounting plate	Steel sheet, t1.5						
Base	-		A3 scale	Scale	Design	Drawing	Check
Color	Outside	Light beige (5Y7/1) (Smooth)		1:5	SUPAKIT	SUPAKIT	KONISHI
IP	IP4X		Date	13 / Oct. / 2021			
Weight	5.8 Kg						