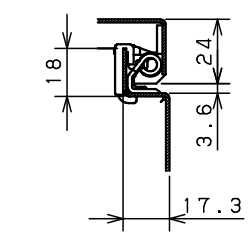
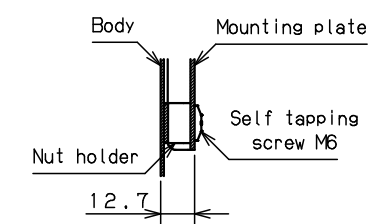


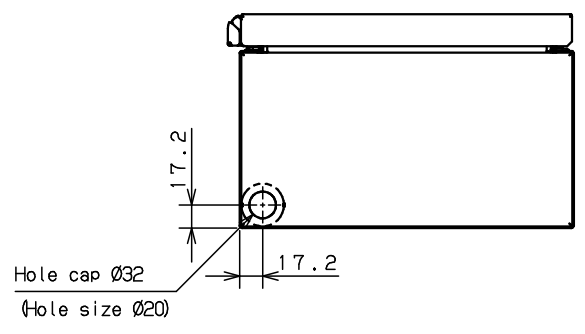
CROSS SECTION A-A
1:2



CROSS SECTION B-B
1:2



CROSS SECTION C-C
1:2



| | | | | | | | | |
|----------------|--|------------------------------|--|----------------|------------------|---------|---------|---------|
| Model | Wall-mounting, indoor-use, CH16-2535TH | | | Name/Type | CH16-2535TH | | | |
| Body | Steel sheet, t1.2 | | | Drawing number | - / 1 / 1 | | | |
| Door | Steel sheet, t1.2 | | | | | | | |
| Mounting plate | Steel sheet, t1.5 | | | | | | | |
| Base | - | | | | | | | |
| Color | Outside | Light beige (5Y7/1) (Smooth) | | A3 scale | Scale | Design | Drawing | Check |
| | Inside | Light beige (5Y7/1) (Smooth) | | | 1:4 | SUPAKIT | SUPAKIT | KONISHI |
| IP | IP4X | | | Date | 13 / Oct. / 2021 | | | |
| Weight | 4.9 Kg | | | | | | | |