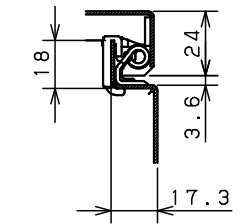
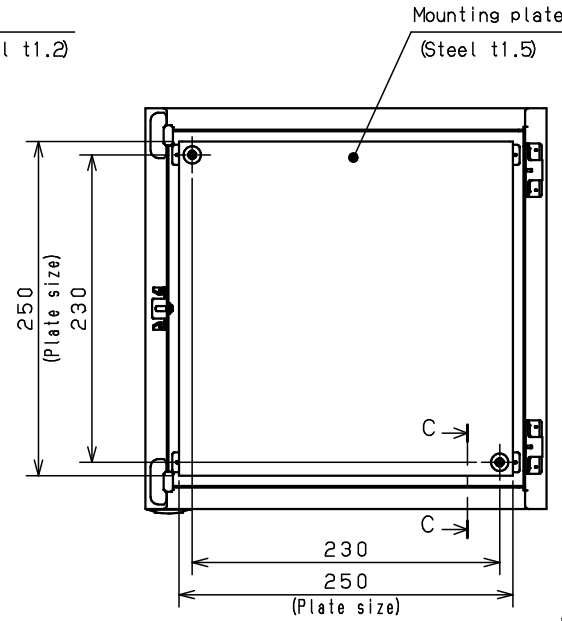
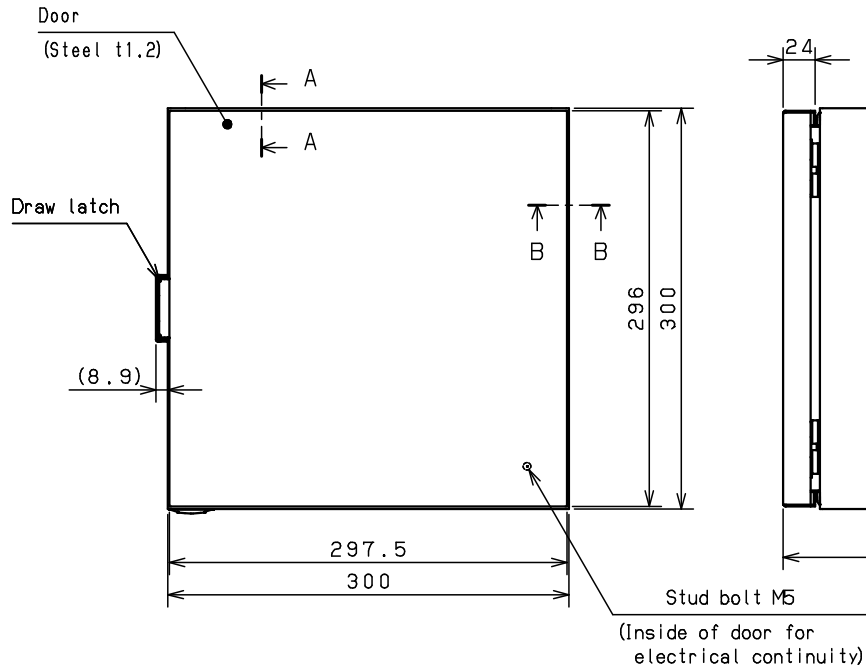
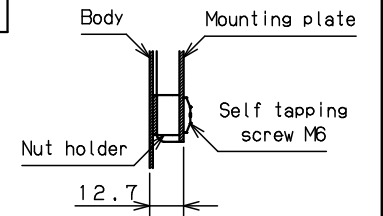


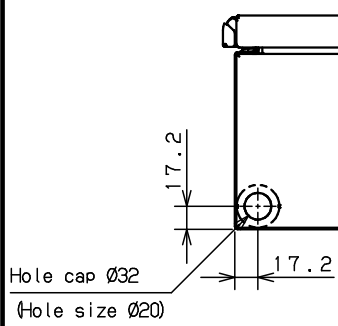
CROSS SECTION A-A
1:2



CROSS SECTION B-B
1:2



CROSS SECTION C-C
1:2



Model	Wall-mounting, indoor-use, CH16-33TH			Name/ Type	CH16-33TH			
Body	Steel sheet, t1.2							
Door	Steel sheet, t1.2							
Mounting plate	Steel sheet, t1.5							
Base	-			Drawing number	- / 1 1			
Color	Outside	Light beige (5Y7/1) (Smooth)	Inside					
IP	IP4X			A3 scale	Scale	Design	Drawing	Check
Weight	5.0 Kg				1:4	SUPAKIT	SUPAKIT	KONISHI
				Date	13 / Oct. / 2021			