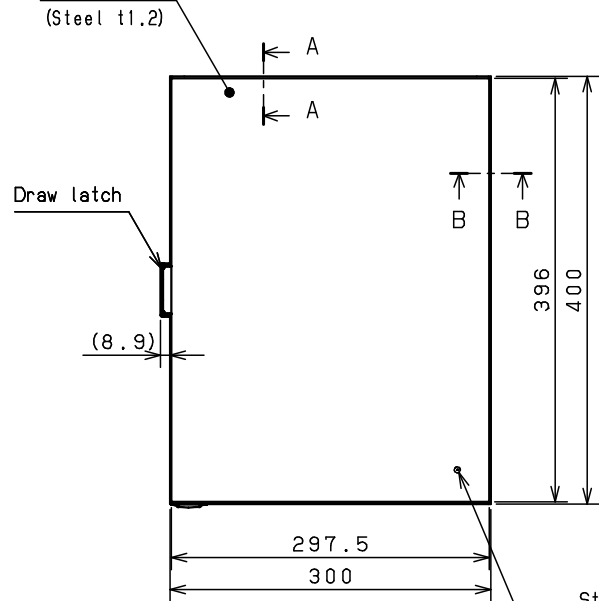


Door  
(Steel t1.2)

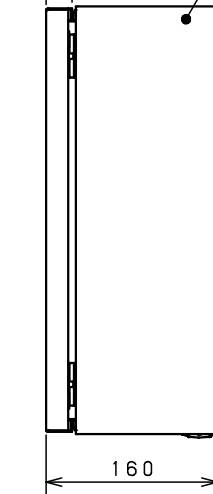


Draw latch

(8.9)

24

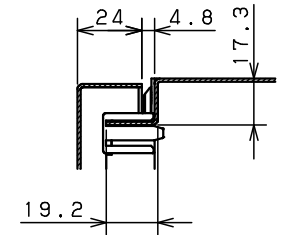
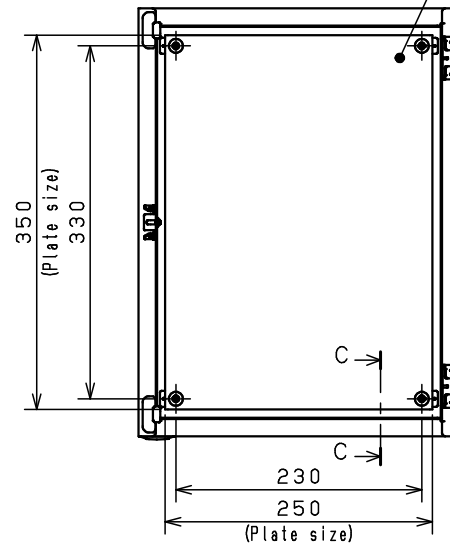
Body  
(Steel t1.2)



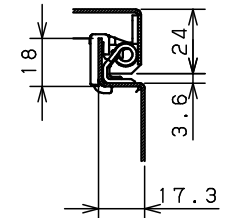
Stud bolt M5

(Inside of door for electrical continuity)

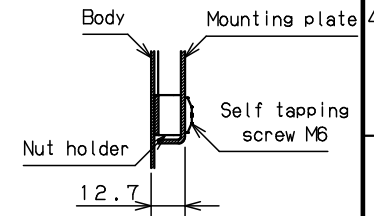
Mounting plate  
(Steel t1.5)



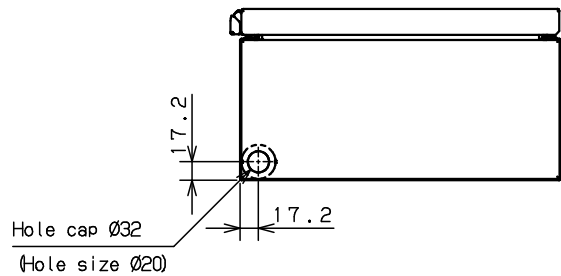
CROSS SECTION A-A  
1:2



CROSS SECTION B-B  
1:2



CROSS SECTION C-C  
1:2



Model	Wall-mounting, indoor-use, CH16-34TH			Name/Type	CH16-34TH			
Body	Steel sheet, t1.2							
Door	Steel sheet, t1.2			Drawing number	-			
Mounting plate	Steel sheet, t1.5							
Base	-			A3 scale	Scale	Design	Drawing	Check
Color	Outside	Light beige (5Y7/1) (Smooth)			1:5	SUPAKIT	SUPAKIT	KONISHI
IP	IP4X			Date	13 / Oct. / 2021			
Weight	6.3 Kg							