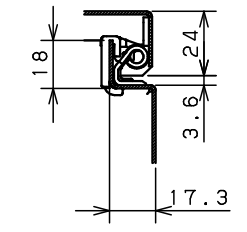
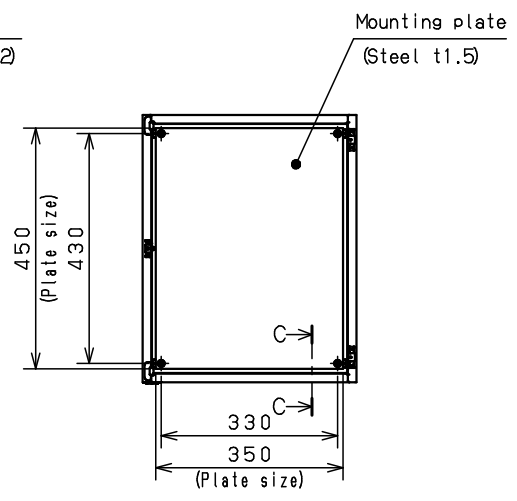
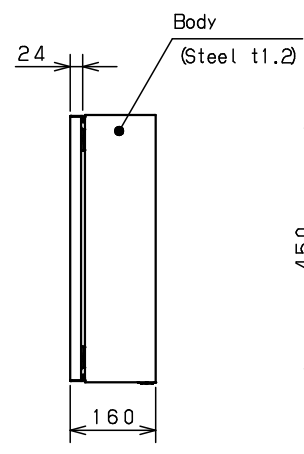
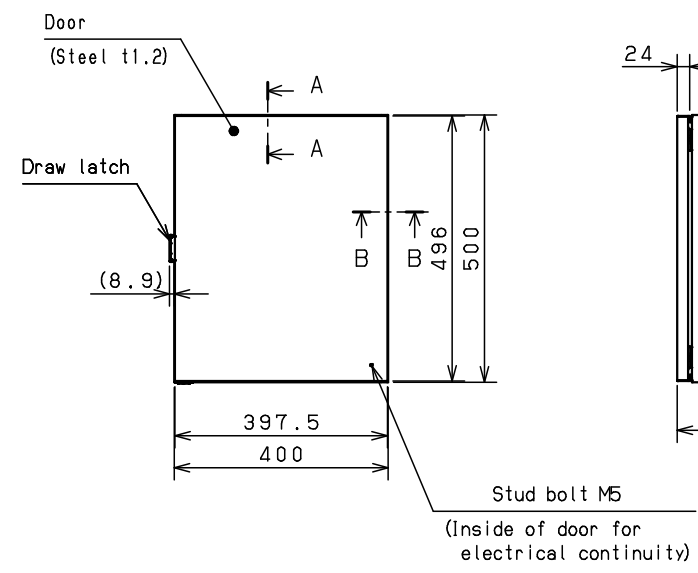
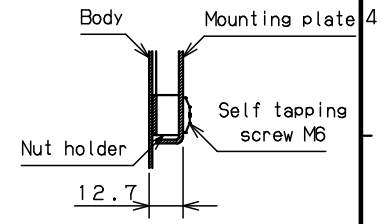


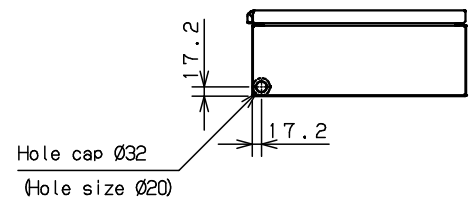
CROSS SECTION A-A
1:2



CROSS SECTION B-B
1:2



CROSS SECTION C-C
1:2



Model	Wall-mounting, indoor-use, CH16-45TH		Name/ Type	CH16-45TH			
Body	Steel sheet, t1.2						
Door	Steel sheet, t1.2						
Mounting plate	Steel sheet, t1.5						
Base	-		Drawing number	-			
Color	Outside	Light beige (5Y7/1) (Smooth)		A3 scale	Scale	Design	Drawing
IP	Inside	Light beige (5Y7/1) (Smooth)	1:10		SUPAKIT	SUPAKIT	KONISHI
Weight	9.4 Kg		Date	13 / Oct. / 2021			