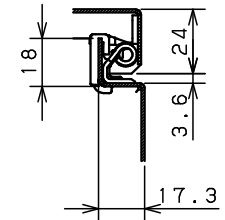
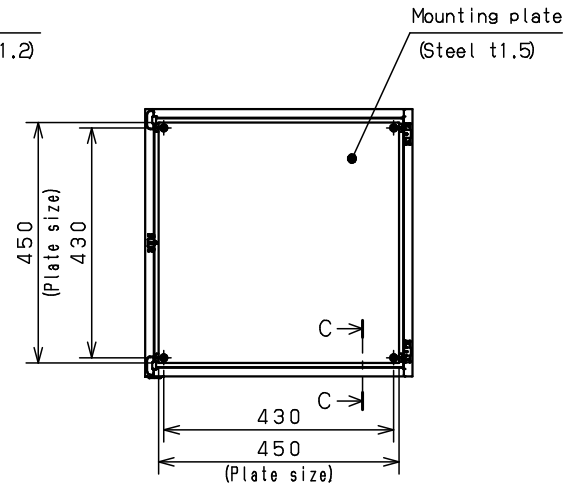
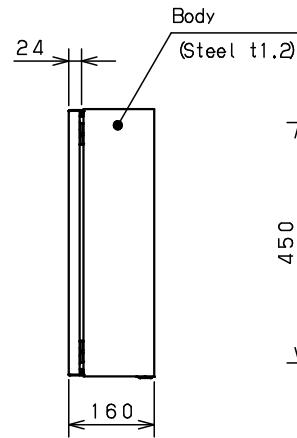
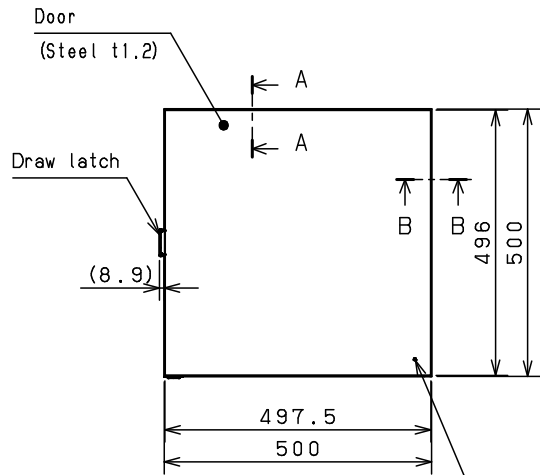
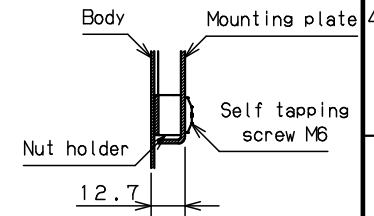
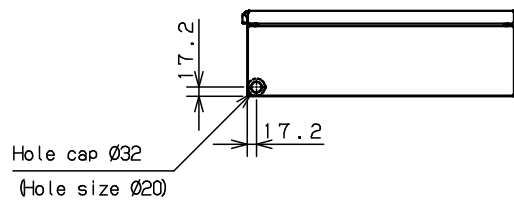


CROSS SECTION A-A
1:2



CROSS SECTION B-B
1:2



CROSS SECTION C-C
1:2

Model	Wall-mounting, indoor-use, CH16-55TH		Name/ Type	CH16-55TH			
Body	Steel sheet, t1.2						
Door	Steel sheet, t1.2						
Mounting plate	Steel sheet, t1.5						
Base	-		Drawing number	- / 1 / 1			
Color	Outside	Light beige (5Y7/1) (Smooth)					
	Inside	Light beige (5Y7/1) (Smooth)	A3 scale	Scale	Design	Drawing	Check
IP	IP4X			1:10	SUPAKIT	SUPAKIT	KONISHI
Weight	11.3 Kg		Date	13 / Oct. / 2021			