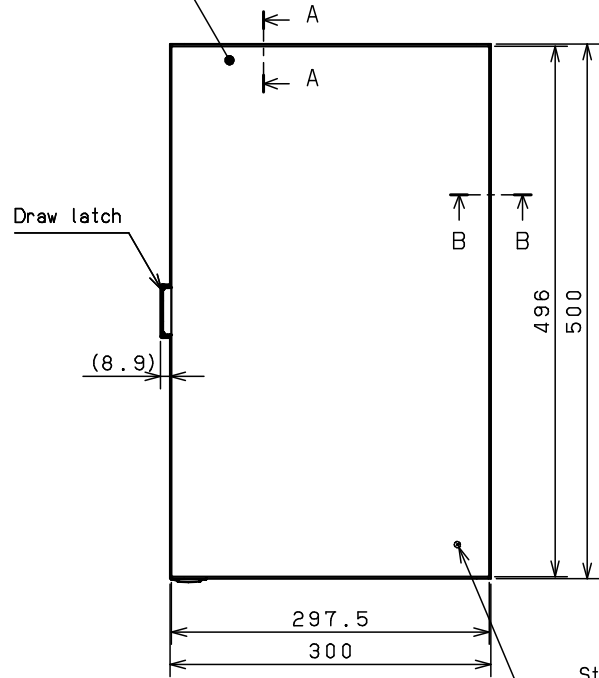


Door
(Steel t1.2)



Draw latch

(8.9)

A

A

B

B

297.5

300

496

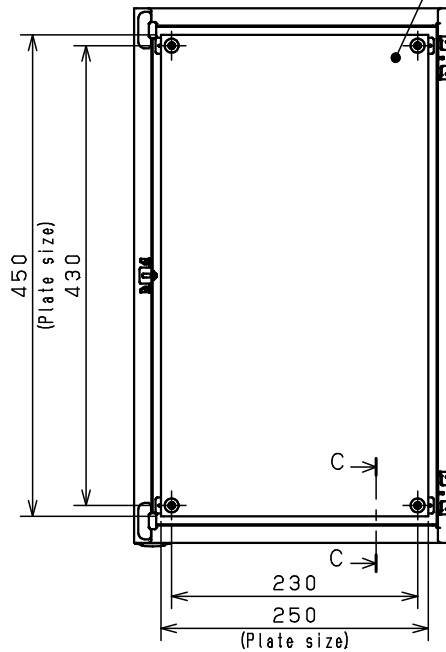
500

Stud bolt M5

(Inside of door for electrical continuity)

24

Body
(Steel t1.2)



Mounting plate
(Steel t1.5)

450
(Plate size)

430

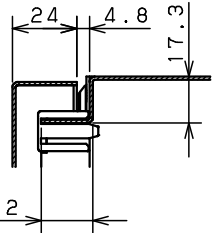
200

230

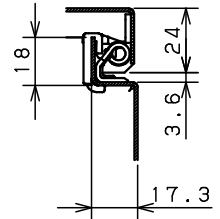
250
(Plate size)

C

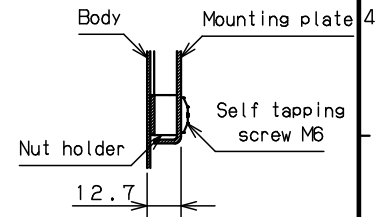
C



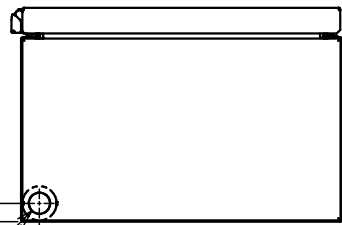
CROSS SECTION A-A
1:2



CROSS SECTION B-B
1:2



CROSS SECTION C-C
1:2



Hole cap Ø32

(Hole size Ø20)

17.2

17.2

Model	Wall-mounting, indoor-use, CH20-35TH			Name/ Type	CH20-35TH			
Body	Steel sheet, t1.2							
Door	Steel sheet, t1.2			Drawing number	-			
Mounting plate	Steel sheet, t1.5							
Base	-			A3 scale	Scale	Design	Drawing	Check
Color	Outside	Light beige (5Y7/1) (Smooth)			1:5	SUPAKIT	SUPAKIT	KONISHI
IP	IP4X			Date	13 / Oct. / 2021			
Weight	8.1 Kg							